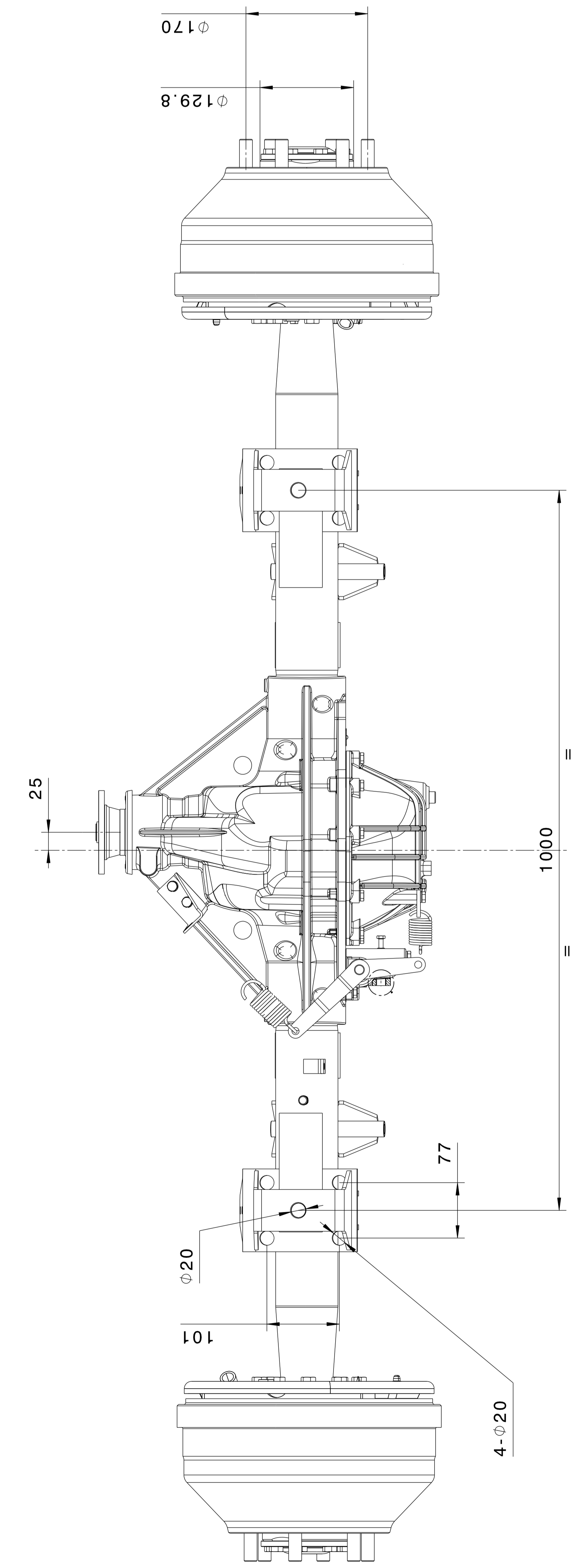
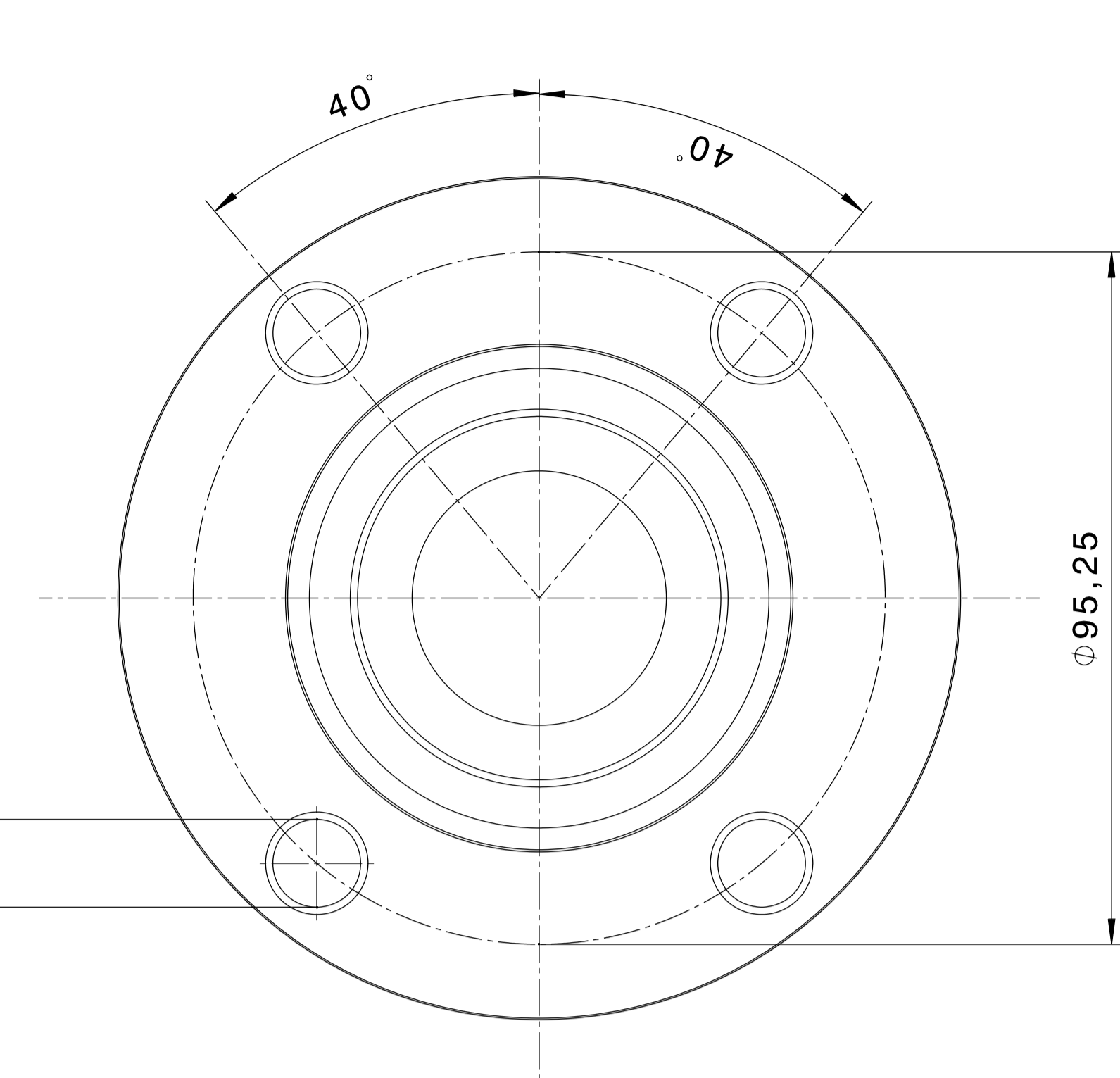
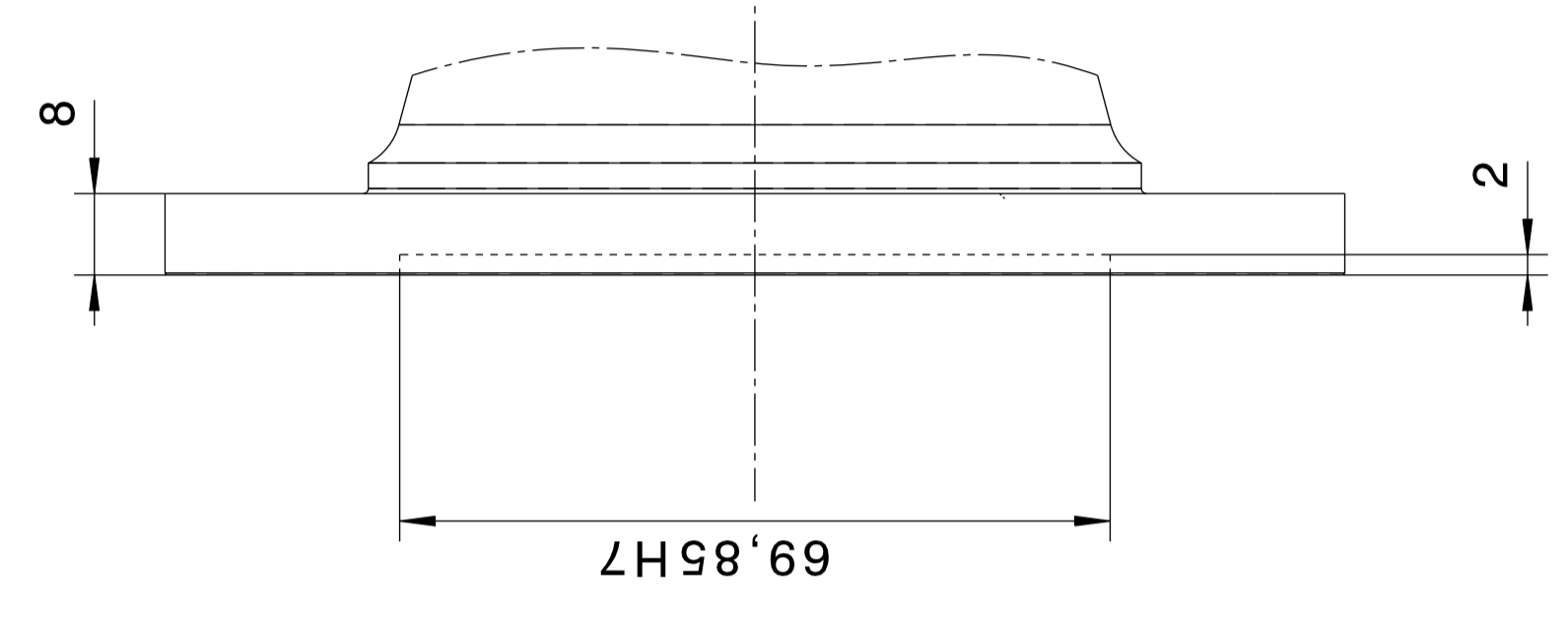


凸缘  
比例 1:1  
Flange  
Scale 1:1



All proprietary rights reserved by NAVECO. This drawing shall not be reproduced, or in any way utilized, for the manufacture of the component or unit herein illustrated and must not be released to other parties, without written consent of the proprietor. Any infringement will be legally pursued.

此图及图内所有数据均受法律保护。未经许可，不得复制或在本图基础上进行任何修改。如有侵权，将依法追究。

Scale	1:1	Standards		Material		Code No	
State		Material		Code No			
Design by		Checked by		Approved		Model	
Date		Index		Modification		Notice Code	
Name		Date		Name		Date	
Department		Department		Department		Department	
Overall dimension drawing of rear axle				后桥外形尺寸图			
No				No			
97297409				DB 42-0407			
NAVECO				NAVECO			
Sheet				Sheet			
A1				A1			

Original: 12 13 14 15 16  
Replaces: 12 13 14 15 16  
mm 0 10 20 30 40 50 60 70 80 90 100