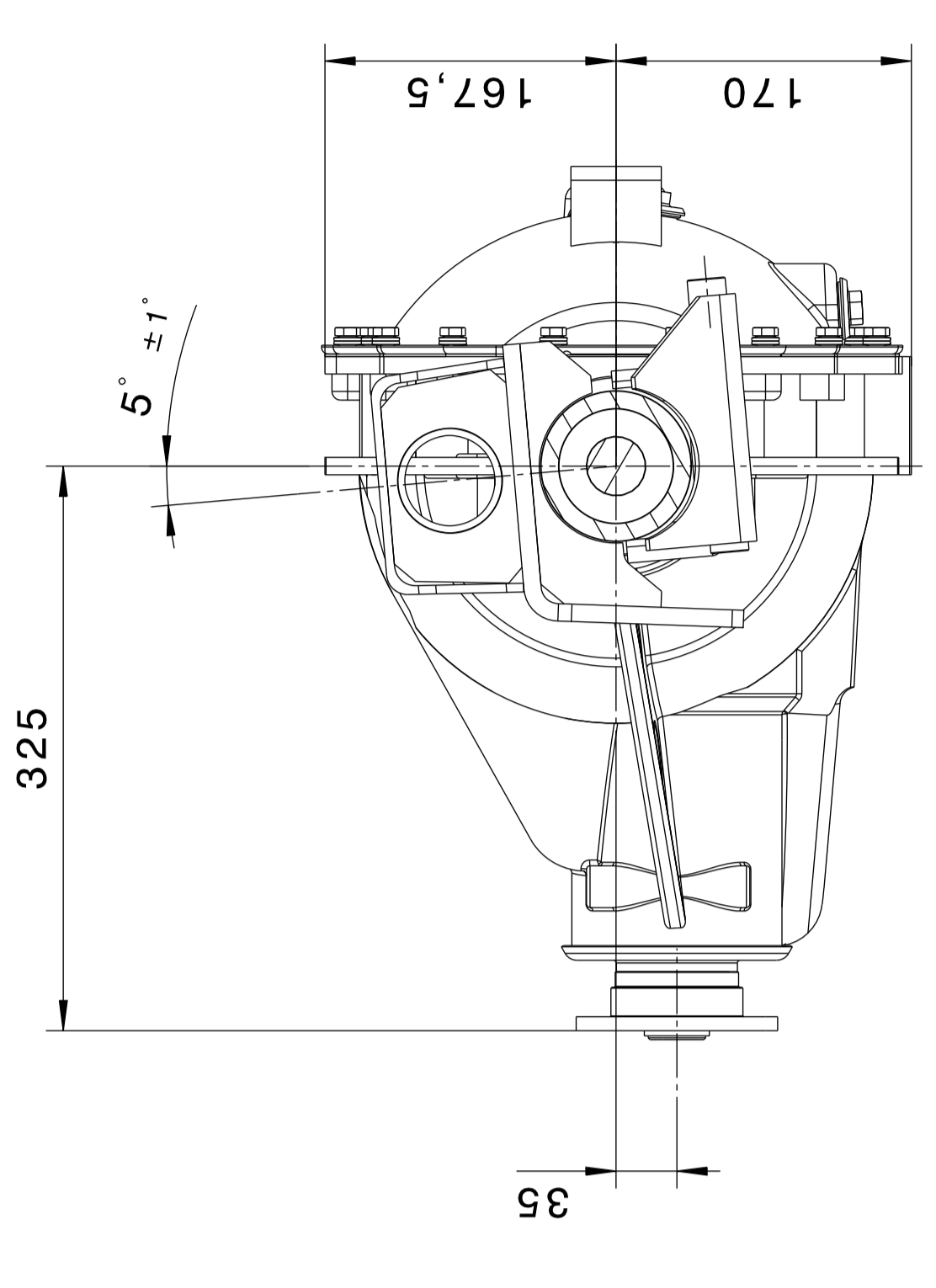
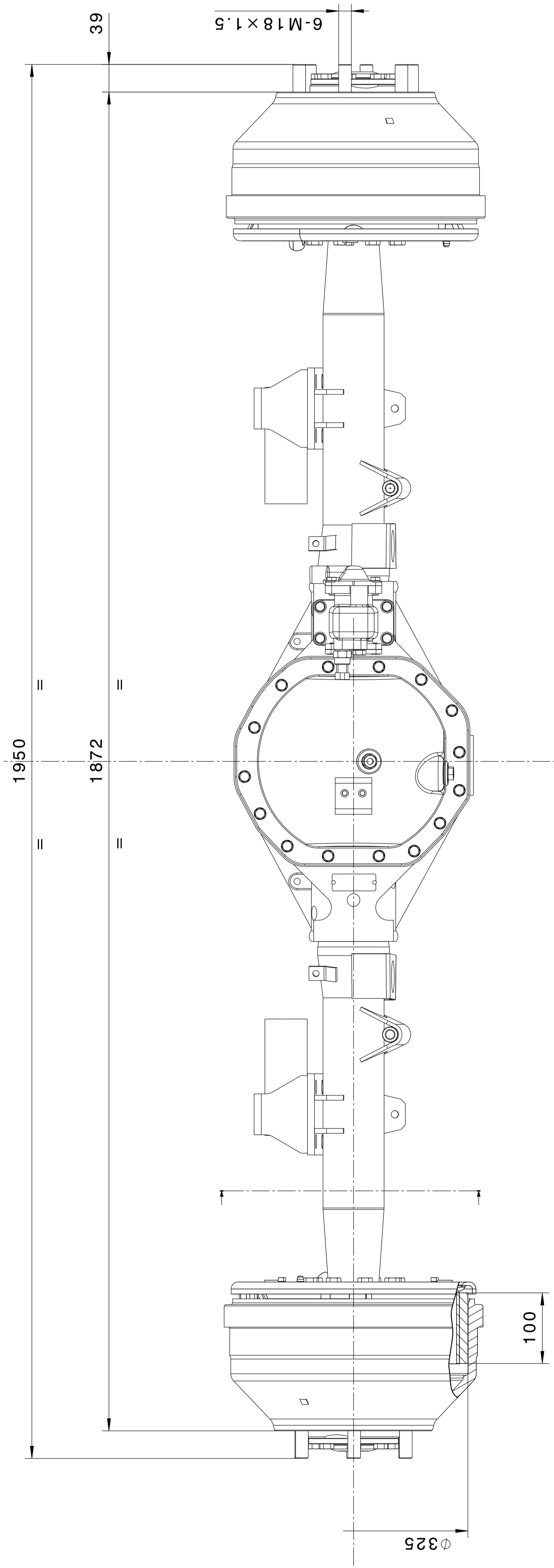
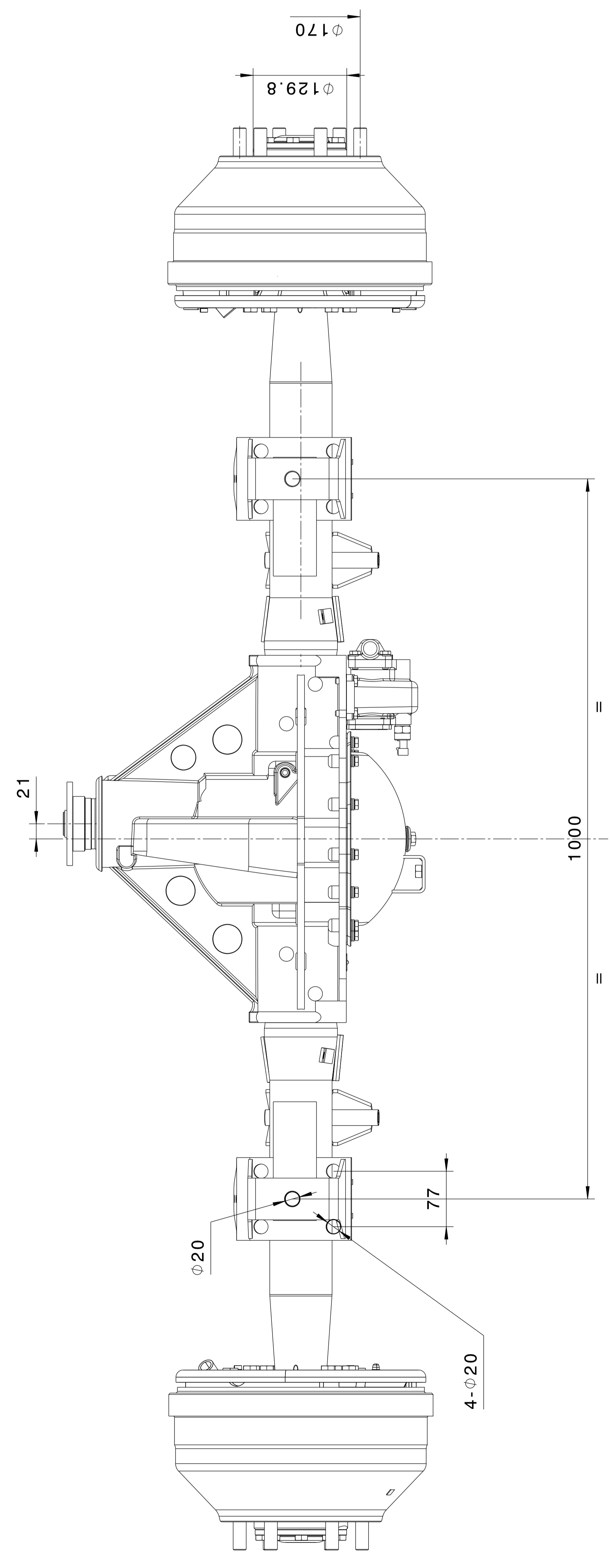
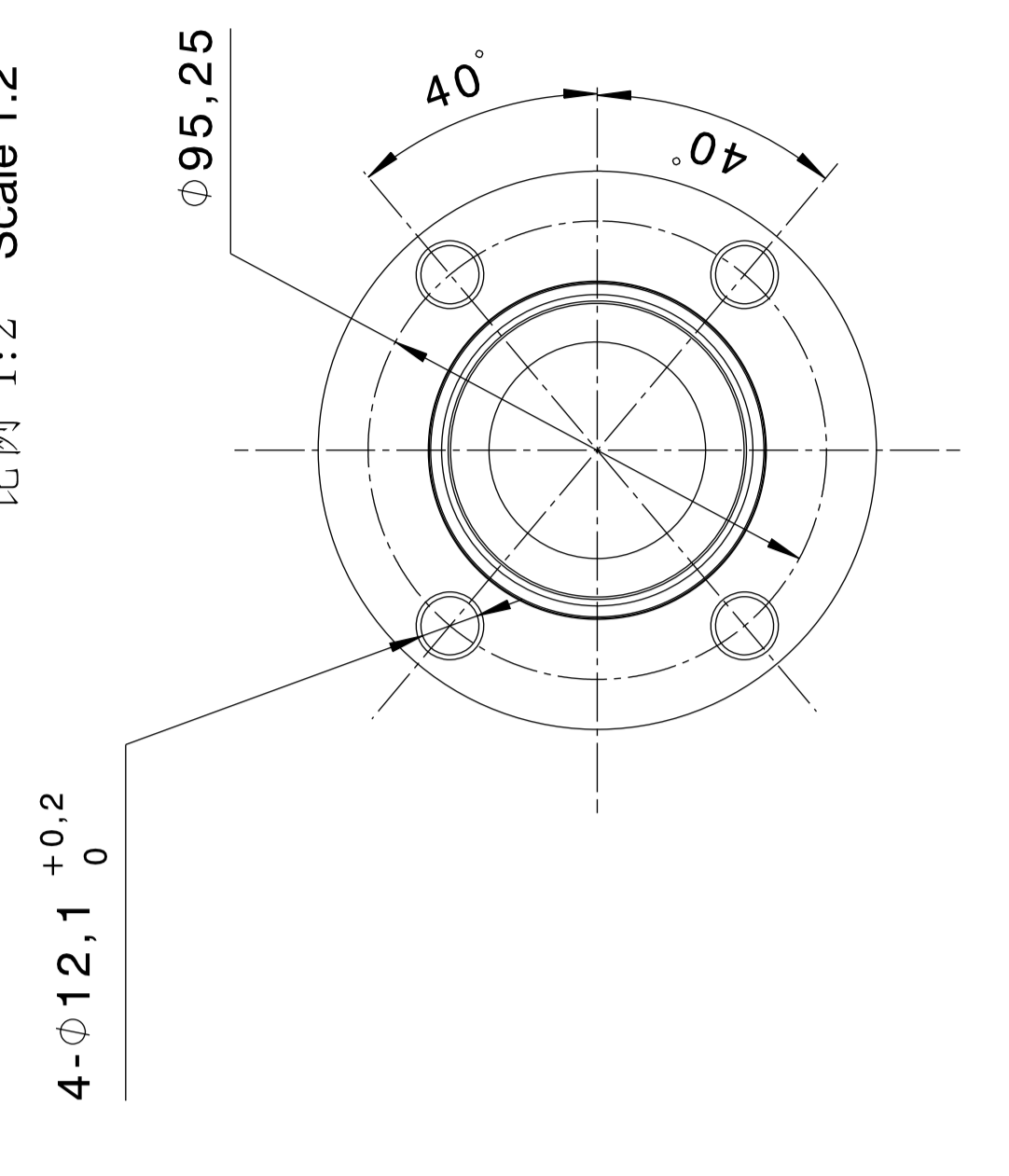


汽车前进方向
Direction of travel



凸缘 Flange
比例 1:2 Scale 1:2



All proprietary rights reserved by NAVECO. This drawing shall not be reproduced, or in any way utilized, for the manufacture of the component or unit herein illustrated and must not be released to other parties, without written consent of the proprietor. Any infringement will be legally pursued.

STANBES
GUB 190
10-2999

Scale	1:1	Standards	Code No
Material			
State	GUB 190	Mass (kg)	Blank No
Designation		Designation	Lesson Code
Name		Name	
Date		Date	
Checked by		Index	Modification
Approved		Notice Code	
Model			
Overall dimension drawing of rear axle 后桥外形尺寸图			
No	97297410	DB	42-0537
Sheet	A1		

NAVECO

Original: 12 13 14 15 16
Replaces: 12 13 14 15 16
mm 0 10 20 30 40 50 60 70 80 90 100