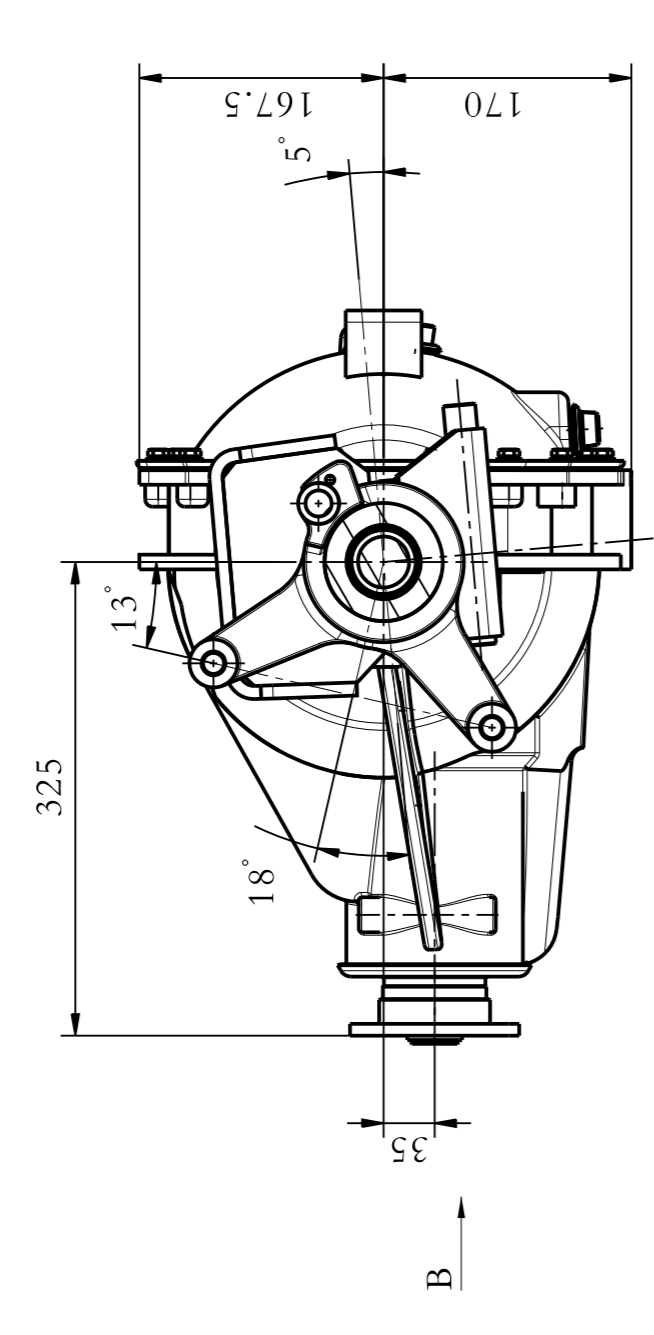
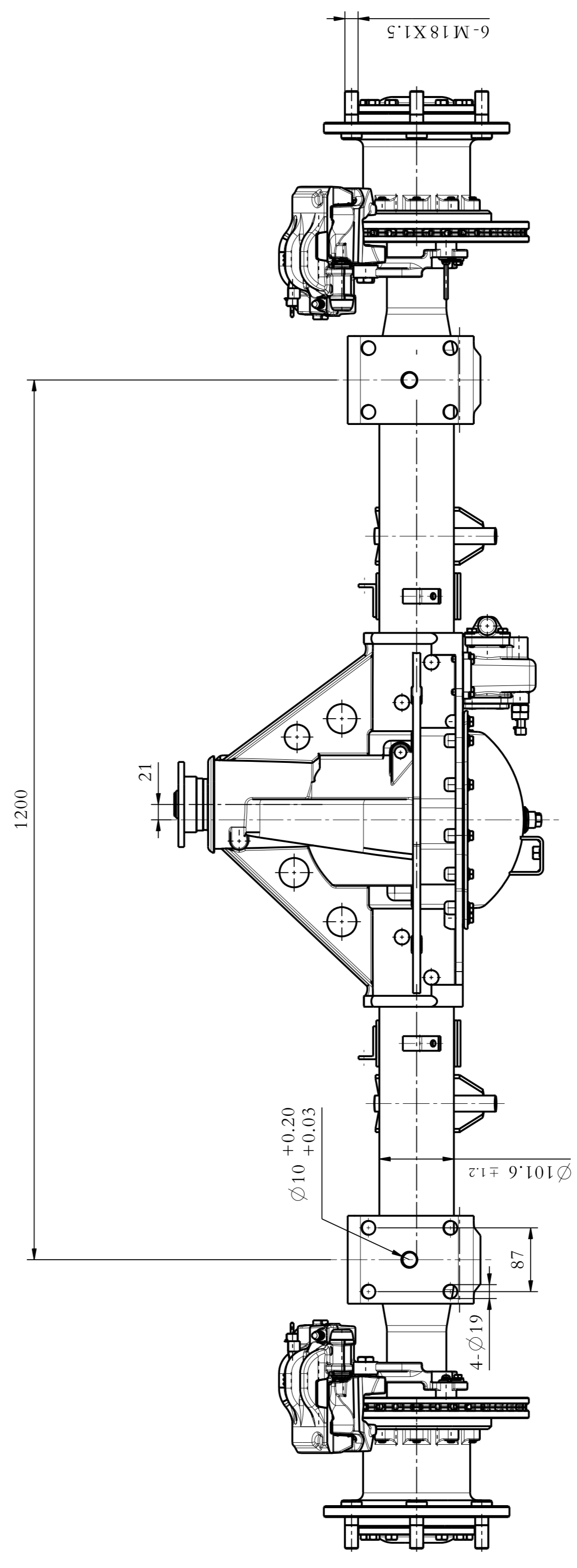


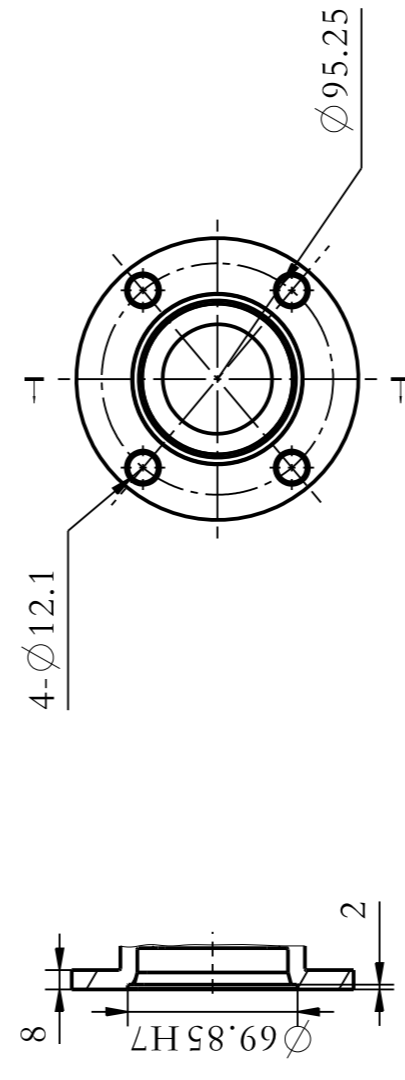
正视图
缩放: 1:5



剖视图 A-A
缩放: 1:5



俯视图
缩放: 1:5



B向视图
缩放: 1:3

ALL RIGHTS RESERVED BY NAVECO. THIS DRAWING SHALL NOT BE REPRODUCED, OR IN ANY WAY UTILIZED, FOR THE MANUFACTURE OF THE COMPONENT OR UNIT HEREIN ILLUSTRATED AND MUST NOT BE RELEASED TO OTHER PARTIES, WITHOUT WRITTEN CONSENT OF THE PROPRIETOR. ANY INFRINGEMENT WILL BE LEGALLY PURSUED.
 所有权利保留。本图样不得复制或以任何方式利用，用于制造本图样中所绘制的组件或单元，且不得在未征得本所有者书面同意的情况下向其他方发布。任何侵权行为将依法追究。
 NAVECO
 10-25999

Scale	1:1	Standards	Code No
State	GNHX	Material	
City	n°	Mass (kg)	
Department	n°	Designation	
Model	P	Blank No	
Name		Leakage Code	
Date			
Index			
Modification			
Part No			
Overall dimension drawing of rear axle			
后桥外形尺寸图			
No	97297410	DB	42-0537
Sheet	NAVECO		
Replaces			
Origin			